

SS4D / SS4ED

SS4D



SS4ED

A breakthrough in low cost photocell technology that includes an electro-magnetic relay and a photodiode sensor that reduces burning hours, lowers power consumption and ensures lifetime switching accuracy.

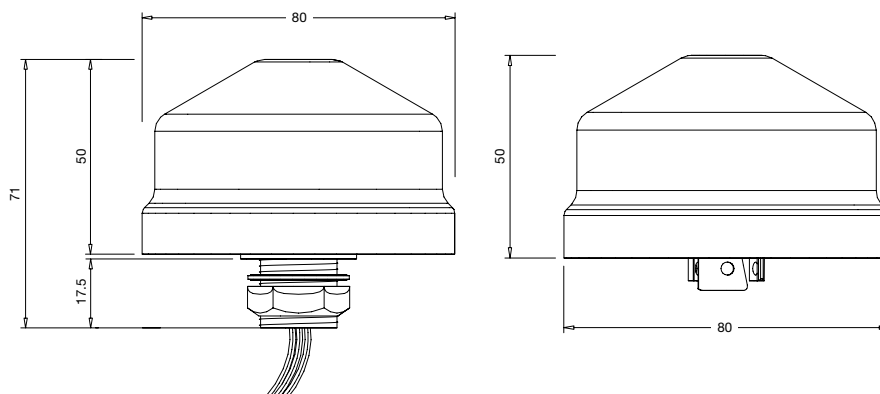
The electronic circuit in the SS4ED delivers extremely accurate and reliable switching control. Also includes a VDR (Voltage Dependent Resistor) as standard, protecting the circuit from high transient voltages.

Both the SS4D and SS4ED are available as a 'Kit' (with socket & Bracket) or a 'cell only'.

SS4D / SS4ED

specification

Model	SS4D	SS4ED
Type	One Part	One Part
Electronic Solid State		
Electronic EM Relay Load Switching	✓	✓
Supply Voltage 50/60Hz AC	198-264	198-264
70 Lux Switch-On Level	✓	✓
55 Lux Option	✓	✓
35 Lux Option		
Switching Differential	1:1.5 POS	1:1.5 POS
Maximum total load for discharge lighting (eg. HPS, MH) (watts)	500	500
Maximum total load for incandescent lighting (watts) / Maximum VA	1200	1200
Switching Delay In Seconds	15-30	15-30
Polycarbonate Enclosure (UV Stabilised)	✓	✓
Power Consumption (watts)	<0.5	<0.5
Sensor Type	Photodiode	Photodiode
Sensor Drift	Negligible	Negligible
Fixing	NEMA	NEMA
Max Operating Ambient Temp Range (°C)	-20/+70	-20/+70
IP Rating Installed	IP65	IP65
IP67 option		
VDR Voltage Suppression		✓
Additional Features		



Dimensions